

## Inside

Page 2

*New Drill  
Guide Features*

Page 3

*Parts Books on  
CD*

Page 4

*Upcoming  
Articles*

*Website  
Information*

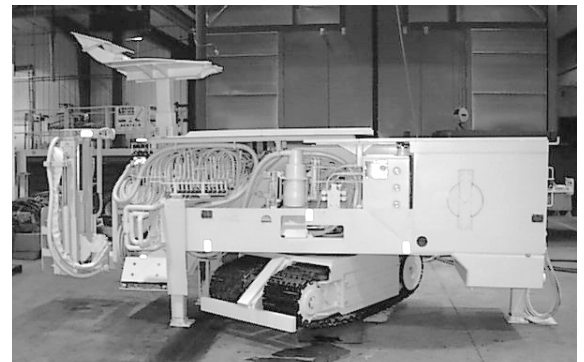
## J. H. Fletcher & Co. Solving Unique Problems

J. H. Fletcher & Co. has been designing and selling mining equipment for over 60 years. Although most roof bolters perform basically the same functions, there are times when equipment must be designed to meet specific needs and to solve unique problems.

In addition to our design engineers, the involvement of machine operators, mine management, service personnel as well as mechanics and assembly personnel contribute in creating the final product. By pulling from experience and past machine designs, we are able to develop a safe and productive machine for our customers.

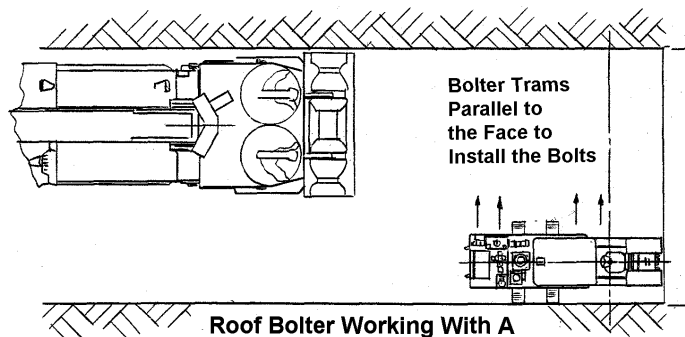
A good example of this design process for meeting specialized needs is a situation presented to us by Boart Lena. The particular mine had a single entry, so moving the miner to another location to allow the roof bolter to come in was not

an option. They needed a machine that could tram past the miner in the entry and maneuver in limited space to access the area to be bolted.

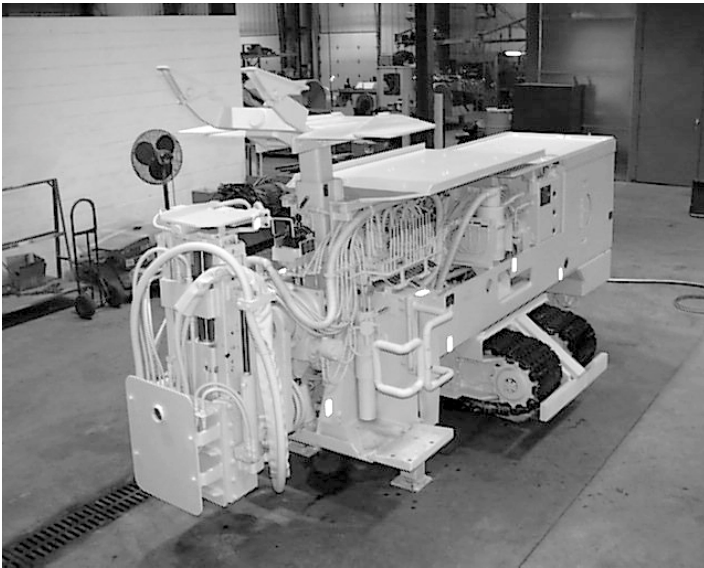


By working with the customer, our engineers and mechanics came up with a crawler driven, single head mast machine on a very narrow chassis. This design was based on our DR model. With the continuous miner moved to one side of the entry the roof bolter is narrow enough to

pass beside and gain inby access. To make maneuvering easier, a turntable was incorporated between the chassis and the crawler units. Therefore, the crawler tracks could be lifted off the floor by using the stab jacks, then turned parallel to the face so



*(Continued on page 2)*



(Continued from page 1)

the machine could be trammed across the face to install the bolts. This spin around chassis design was partially based on one of the Fletcher scaling machines.

The result was a very compact, maneuverable, productive roof bolter designed to solve the unique problems of the customer.

Fletcher is in the business of solving unique problems and meeting the needs of the customer. By pooling our resources and working together, we are able to create the specialized equipment to get the job done.

## New Drill Guide

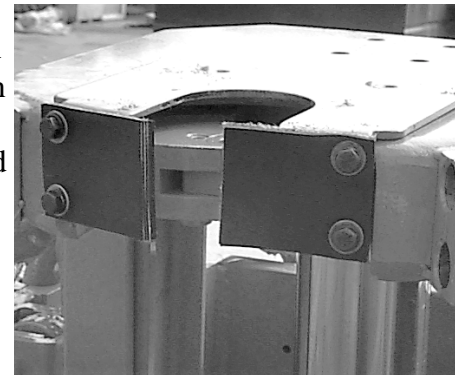
J. H. Fletcher & Co.'s operator's manuals and training materials always stress the importance of using hands-off drilling techniques. To facilitate hands-off drilling, our mast feed machines are equipped with hydraulically actuated drillguides which hold the steel or bolt until they enter or start the hole.

To help in keeping fingers from getting pinched in the drillguide, two different types of guards are available. The first is a hose guard. Two loops of hose are mounted on either side of the guide. This guard allows a 6" x 6" roof bolt plate to pass through the guide when open.



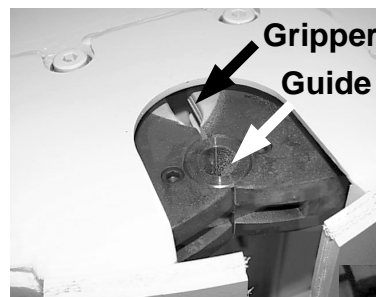
Drillguide with Hose Guard

The second type of guard consists of a plate welded on top of the mast with two rubber flaps in front leaving enough space for the drill steel or bolt to fit through. This second style reduces the opening more than the hose guard. The operator places the roof bolt plate on top of the drillguide when using this guard. This second style guard is now standard on new drill guides and can be ordered separately to upgrade your existing unit.



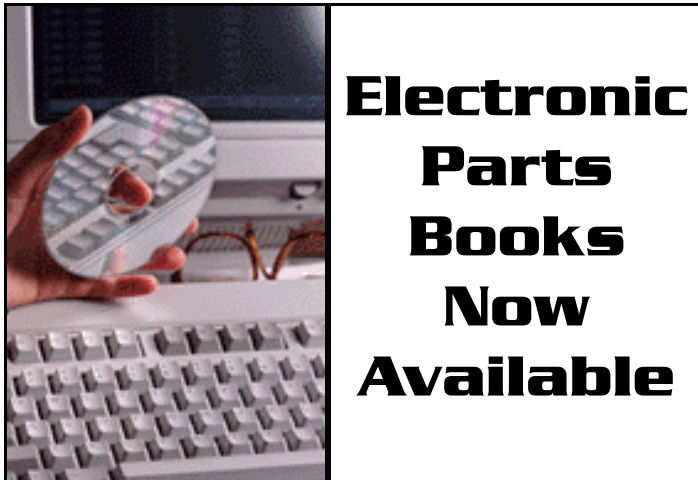
Drillguide with Plate Guard

Fletcher has added to this system by placing grippers on the back side of the drillguide to help extract a stuck drillsteel.



The drillguide jaw assembly with the grippers can be ordered as a kit from the Fletcher service department by calling 304-525-7811.

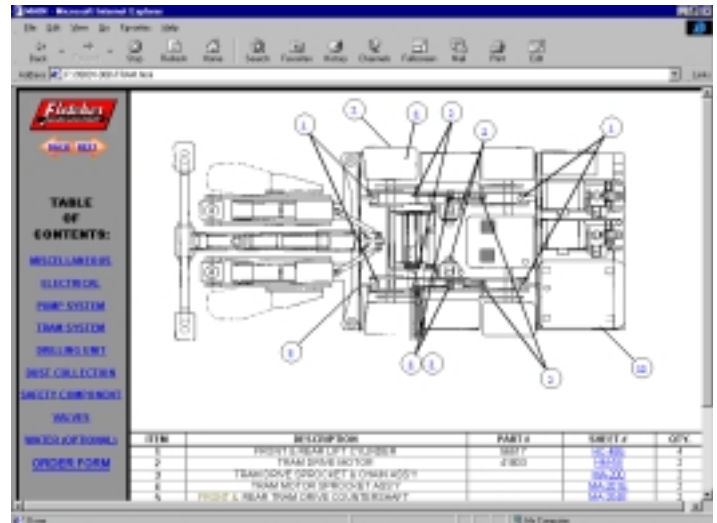




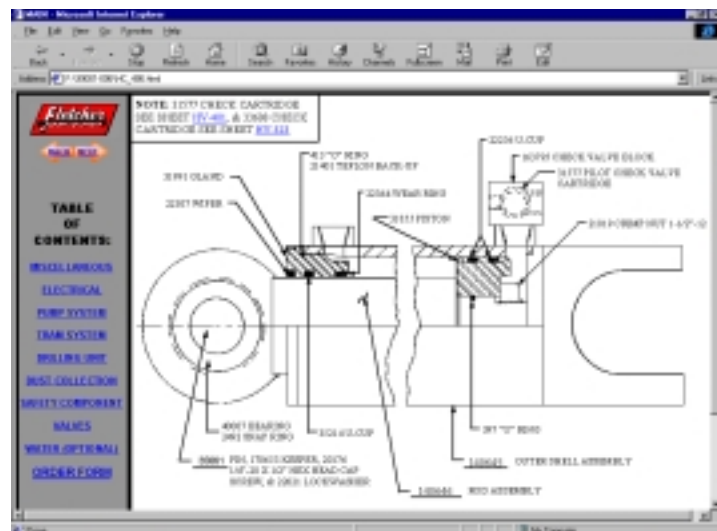
## Electronic Parts Books Now Available

When you order a new piece of Fletcher equipment you can have your Fletcher Parts Books on CD-ROM. The parts books department is creating the books in an HTML format allowing you to look through the book using your existing web browser. There is no other software to buy as long as you have one of the popular browsers such as Internet Explorer or Netscape Navigator.

The left side of the screen will always be the main table of contents for the book. By using your mouse to click on the contents, you can move through the different sections of the book. You can then use the "back" and "next" buttons to move through that section or you can click on the underlined, highlighted text to go to specific information.



Example of Tram Section Page



Example of Lift Cylinder Page



Main Page with Table of Contents on the Left

In addition to looking through the book on your computer, you are also provided with the option to print out the entire book or you can choose to just print out the sections you need for a specific task.

The HTML parts book is easy to use and doesn't require much time to learn how to jump around in the book. With an electronic parts book you will never lose pages and you can always print out clean pages.

The CD is standard on new machines. There is a charge for this feature on rebuilt or modernized machines. If you have questions about the HTML parts book, contact the Fletcher parts book department at 304-525-7811.

## Upcoming Articles

### Look for These Articles in Future Issues

**Hand Held Resin Inserter:** A tool to assist operators with inserting resin in high roof or in ribs.

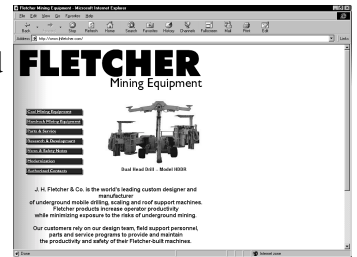
**Roof Drill Feedback System:** Sensors relay information to onboard computer which automatically adjusts the feed rate and rotation for most efficient drilling.

**Oil Fill Cap:** A new oil fill cap designed to provide pressure relief.

**Boom Swing Stop:** A boom swing stop kit is now standard on all Fletcher bolters.

J. H. Fletcher & Co. can now be found on the World Wide Web. The address is [www.jhfletcher.com](http://www.jhfletcher.com)

The site offers information on Fletcher equipment, Parts & Service, Research & Development, News and Safety Notes, Modernization and Authorized Contacts. Check the site for occasional updates and new information.



### Drop Us A Note

We would love to hear your comments, questions or ideas for the Fletcher Product Newsletter.

Drop us a line via e-mail to [jhf@jhfletcher.com](mailto:jhf@jhfletcher.com)



The information contained in this newsletter has been obtained from sources believed to be reliable, and the editors have exercised reasonable care to assure its accuracy. However, J. H. Fletcher & Co. does not guarantee that contents of this publication are correct and statements attributed to other sources do not necessarily reflect the opinion or position of J. H. Fletcher & Co.

Published by **J. H. Fletcher & Co.**  
Box 2187  
Huntington, WV 25722-2187

Currently we are only sending the Fletcher Newsletter to a selective readership. If you know of someone in your company who wishes to be placed on our mailing list, please let us know. Below is a form for a free subscription to the newsletter. Just fill out the form and return it to J. H. Fletcher & Co., Risk Management, Box 2187, Huntington WV 25722-2187.

#### FREE SUBSCRIPTION FORM

Name \_\_\_\_\_ Job Title \_\_\_\_\_  
Company \_\_\_\_\_ Address \_\_\_\_\_  
City \_\_\_\_\_ State \_\_\_\_\_ Zip \_\_\_\_\_  
Phone \_\_\_\_\_

**J. H. Fletcher & Co.**

## J. H. Fletcher & Co.

Box 2187

Huntington, WV 25722-2187

(304) 525-7811