

FLETCHER

Powder Loader



The Fletcher Powder Loader was designed to address industry requirements of lower DPM and noise exposure for the charging crews. This machine is one of the quietest and coolest running machines on the market. With fuel consumption less than 15 gallons per shift, it is also one of the most efficient. For versatile, efficient loading of ANFO, contact J. H. Fletcher & Co.

Specifications

Coverage - 30' high x 50' wide from one setup
ANFO pot capacity up to (2) 3000 lb. units
Ground and Basket workers use separate pots
Cat C4.4 Acert™ 127 HP engine
Engine RPM is demand regulated based on compressed air usage
Radiator blows exhaust away from heading
Day boxes for separate cap and stick storage

Benefits

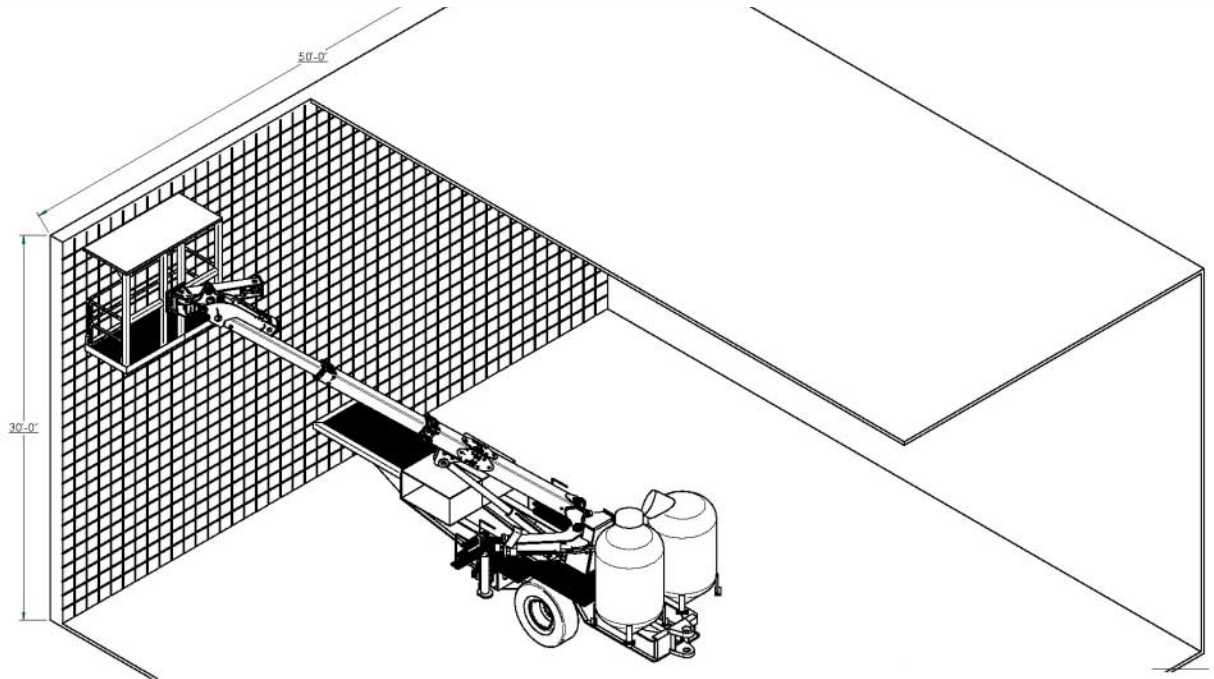
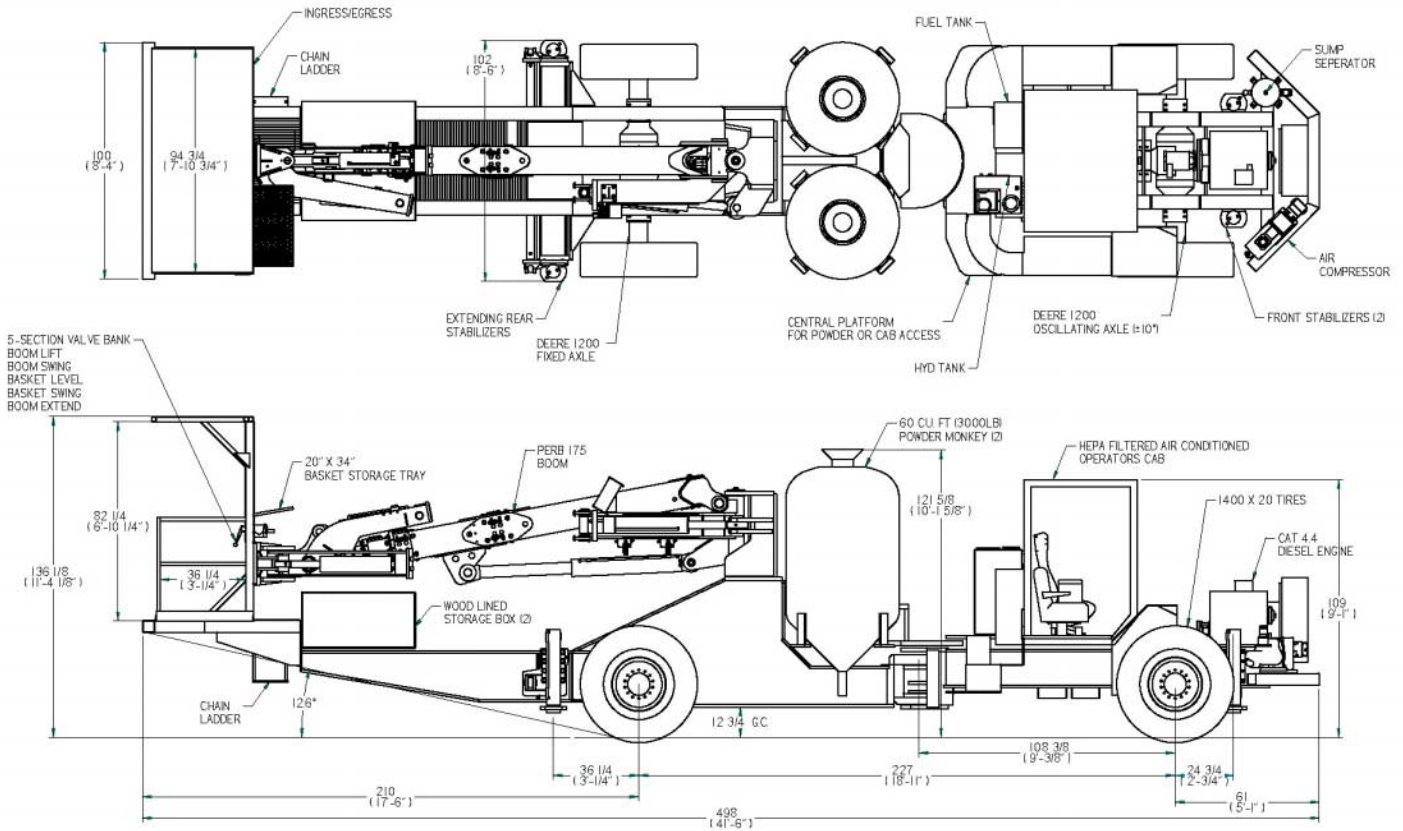
Basket capacity of 700 lbs, conforming to ANSI standards

Demand regulated engine throttle system resulting in:

- Lower noise levels promote better communication
- Lower temperature in the heading increases operator comfort
- Lower fuel consumption, less than 15 gallons per shift
- Lower DPM emissions

(Dimensions and weight vary, depending on tire size and seam height application)

Powder Loader



J. H. Fletcher & Co. cannot anticipate every mine hazard that may develop during use of these products. A roof control plan must be approved by MSHA before use of these products begins. Proper use, maintenance and continued use of (OEM) original equipment parts will be essential for maximum operating results.

Specifically engineered for each customer's needs.



J. H. Fletcher & Co.
 P.O. Box 2187
 Huntington, WV 25722-2187
jhf@jhfletcher.com
 304-525-7811