

DIMENSIONS AND TOLERANCES IN INCHES UNLESS OTHERWISE SPECIFIED:

BREAK CORNERS 0.005" - 0.015"

DECIMALS
 0.X +/- .03
 0.XX +/- 0.01
 0.XXX +/- 0.005

FRACTIONS +/- 1/16"
 ANGLES +/- 1 DEGREE

UNLESS OTHERWISE SPECIFIED ALL STEEL SPECIFICATIONS ARE:
 HRS PLATE --- A36
 HRS BAR --- A36 OR 1020
 ALLOY BAR --- 4140/4142 HEAT TREATED

WELDING STANDARDS:
 SEE 359370 DOCUMENT ON JHF WELDING STANDARDS AND SPECIFICATIONS. WELD SYMBOLS OR NOTES ON DRAWING SUPERCEDE 359370 DOCUMENT

J. H. FLETCHER & CO. ©

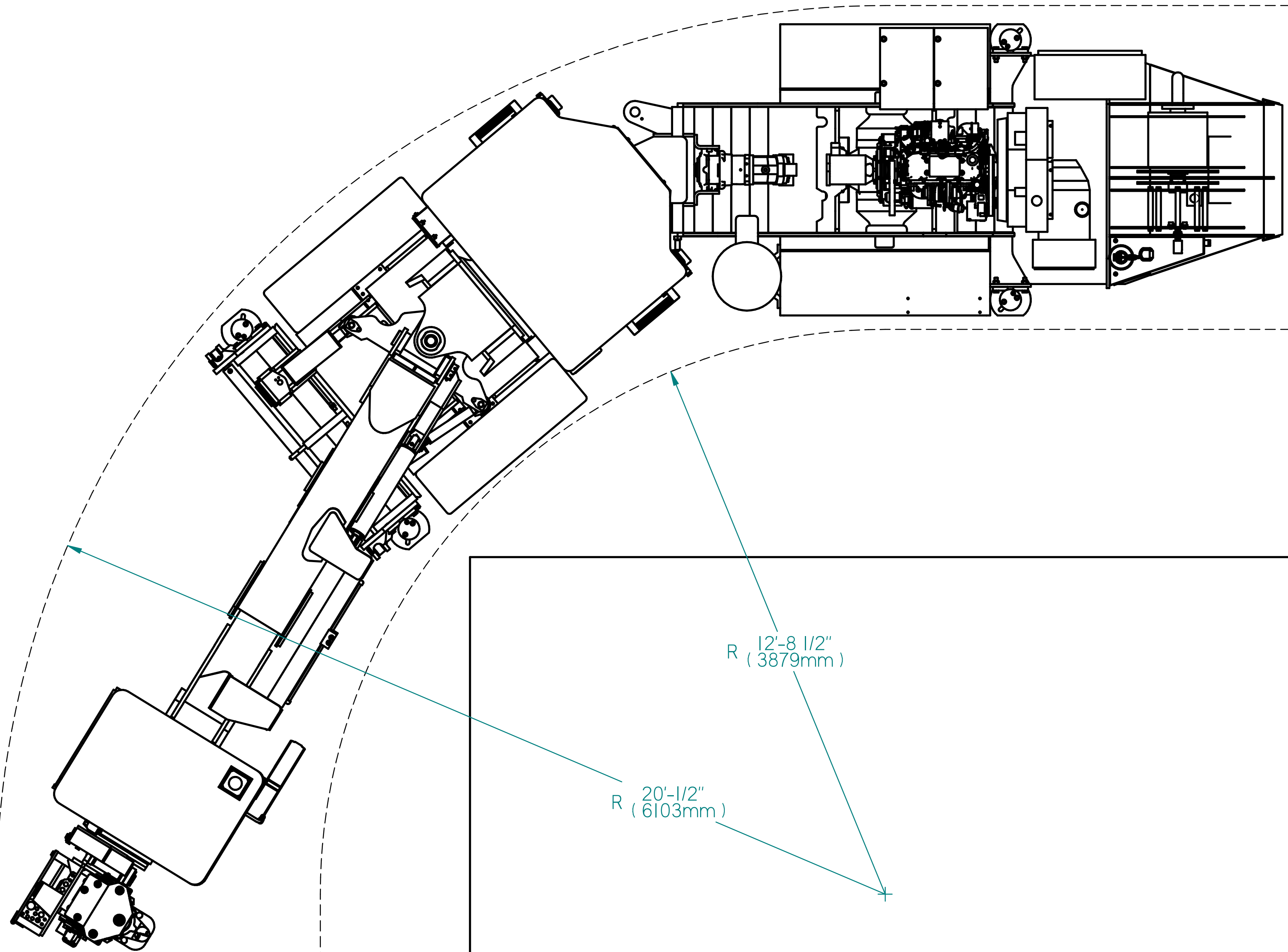
THIS DRAWING IN DESIGN AND DETAIL IS OUR PROPERTY AND MUST NOT BE USED EXCEPT IN CONNECTION WITH OUR WORK. ALL RIGHTS OF DESIGN OR INVENTION ARE RESERVED.

A	1/31/13	BJN	RELEASED	
LEVEL	DATE	BY	REVISION	
DO NOT CHANGE MANUALLY				
MAT'L			WT.	45921.5 lbm

MEXICO BOLTER

BY	SHEET	DWG	REV
BJN	1 OF 3	698C	A

16'-5"
(5000mm)



R 12'-8 1/2"
(3879mm)

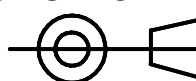
R 20'-1/2"
(6103mm)

11'-6"
(3500mm)

DIMENSIONS AND TOLERANCES IN INCHES
UNLESS OTHERWISE SPECIFIED :

BREAK CORNERS
0.005" - 0.015"

DECIMALS
0.X +/- .03
0.XX +/- 0.01
0.XXX +/- 0.005

PROJECTION ANGLE


FRACTIONS +/- 1/16"
ANGLES +/- 1 DEGREE

UNLESS OTHERWISE SPECIFIED ALL STEEL
SPECIFICATIONS ARE:
HRS PLATE --- A36
HRS BAR --- A36 OR 1020
ALLOY BAR --- 4140/4142 HEAT TREATED

WELDING STANDARDS:
SEE 359370 DOCUMENT ON JHF WELDING
STANDARDS AND SPECIFICATIONS. WELD
SYMBOLS OR NOTES ON DRAWING SUPERCEDE
359370 DOCUMENT

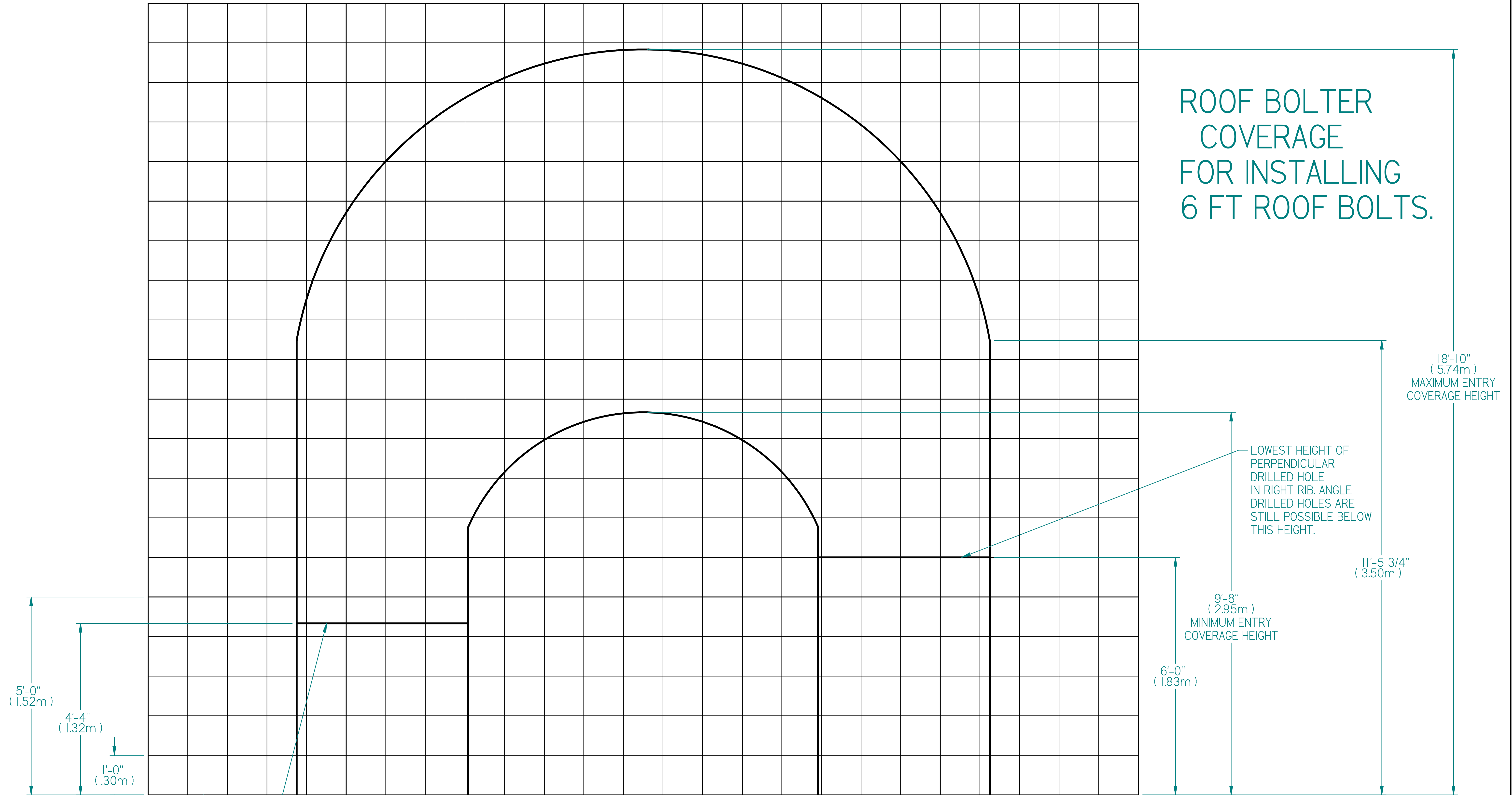
J. H. FLETCHER & CO. ©

THIS DRAWING IN DESIGN AND DETAIL IS OUR PROPERTY AND MUST NOT BE USED EXCEPT
IN CONNECTION WITH OUR WORK. ALL RIGHTS OF DESIGN OR INVENTION ARE RESERVED.

MEXICO BOLTER

BY	SHEET	DWG	REV
BJN	2 OF 3	698C	A

ROOF BOLTER COVERAGE FOR INSTALLING 6 FT ROOF BOLTS.



5'-0"
(1.52m)
4'-4"
(1.32m)
1'-0"
(.30m)

GROUND LINE

8'-10"
(2.69m)
MINIMUM ENTRY
COVERAGE WIDTH

17'-6"
(5.33m)
MAXIMUM ENTRY
COVERAGE WIDTH

9'-8"
(2.95m)
MINIMUM ENTRY
COVERAGE HEIGHT

6'-0"
(1.83m)

11'-5 3/4"
(3.50m)

18'-10"
(5.74m)
MAXIMUM ENTRY
COVERAGE HEIGHT

LOWEST HEIGHT OF
PERPENDICULAR
DRILLED HOLE
IN RIGHT RIB. ANGLE
DRILLED HOLES ARE
STILL POSSIBLE BELOW
THIS HEIGHT.

LOWEST HEIGHT OF PERPENDICULAR
DRILLED HOLE IN LEFT RIB.
ANGLE DRILLED HOLES ARE STILL POSSIBLE
BELOW THIS HEIGHT.

DIMENSIONS AND TOLERANCES IN INCHES
UNLESS OTHERWISE SPECIFIED:

BREAK CORNERS
0.005" - 0.015"

DECIMALS
0.X +/- .03
0.XX +/- 0.01
0.XXX +/- 0.005

FRACTIONS +/- 1/16"
ANGLES +/- 1 DEGREE

PROJECTION ANGLE

UNLESS OTHERWISE SPECIFIED ALL STEEL
SPECIFICATIONS ARE:
HRS PLATE --- A36
HRS BAR --- A36 OR 1020
ALLOY BAR --- 4140/4142 HEAT TREATED

WELDING STANDARDS:
SEE 359370 DOCUMENT ON JHF WELDING
STANDARDS AND SPECIFICATIONS. WELD
SYMBOLS OR NOTES ON DRAWING SUPERCEDE
359370 DOCUMENT

J. H. FLETCHER & CO. ©

THIS DRAWING IN DESIGN AND DETAIL IS OUR PROPERTY AND MUST NOT BE USED EXCEPT
IN CONNECTION WITH OUR WORK. ALL RIGHTS OF DESIGN OR INVENTION ARE RESERVED.

MEXICO BOLTER

BY BJN	SHEET 3 OF 3	DWG 698C	REV A
-----------	-----------------	-------------	----------