

FLETCHER

Roof Ranger I

Model RR-I Single Head Roof Bolter



- Automated Temporary Roof Support (ATRS) speeds bolting and increases safety.
- Boom sumps after ATRS is positioned for pinpoint bolting.
- Low-profile (24-1/2" with 6" underclearance) allows bolting in limited seam heights.

Fletcher Model RR-I Roof Ranger is a versatile, single head bolter which is economical for full production duty or spot bolting. Its low profile, compact design makes it maneuverable in confined spaces.

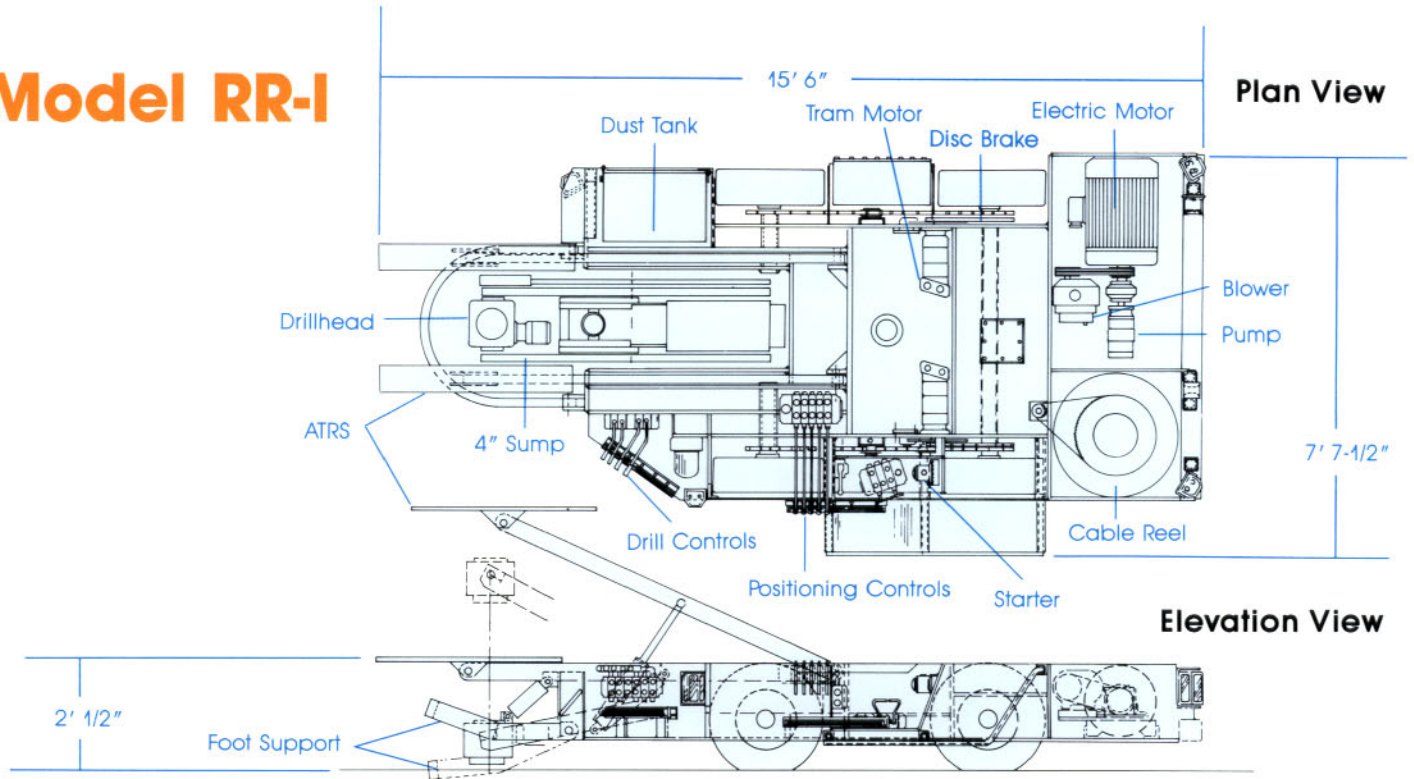
Standard Equipment:

Automated Temporary Roof Support (ATRS)
Automatic disc brakes
Approved dust collection system
Four-wheel drive
Return line hydraulic filters
JIC or Male Pipe fittings
Bolt torquing circuit
Cable reel
Emergency de-energizing system
Positioning controls
Approved lighting system
Fire suppression system
± 4" boom sump
Deep chuck drill head

Features:

| | | |
|---------------------|-------------------|--------|
| Boom sump | 4" (fore and aft) | 102mm |
| Overall length | 15'6" | 4724mm |
| Overall width | 7" 7-1/2" | 2324mm |
| Overall tram height | 2' 1/2" | 622mm |
| Ground clearance | 6" | 152mm |
| Weight | 15,000# | 6750kg |

Model RR-1



General Specifications:

ELECTRICAL SYSTEM: U.S.B.M.-permissible 40-hp AC or 28-hp DC motor; panic bars with start switches at all control stations.

DUST COLLECTION: internal through drill steel; blower; rotary lobe type, 62 cfm; vacuum at drillhead: 10-12" Hg.

HYDRAULIC SYSTEM: max. working pressure: 2,500 psi; system capacity: 80 U.S. gallons; filtration: magnetic in tank, Schroeder return line; hand-operated fill pump; hose fittings: JIC or Male Pipe.

DRIVE SYSTEM: four-wheel chain type; tractor steering (turns within length); Char-lynn 10,000-Series motors; automatic spring-set, hydraulic-release disc brakes; tram speed: 0-1.5 mph; pneumatic tires — 7.50x10.

DRILLING SYSTEM: continuous feed length: 3'10"; thrust: 0-10,000 lbs.; torque: 0-300 ft. lbs.; rotation speed: 0-560 rpm; feed rate: 0-30 fpm; adjustable bolt torquing valve.

SAFETY SYSTEM: ATRS roof support with positioning controls. ATRS reach: 4'9". MSHA-approved illumination.

Fletcher Options:

Optional equipment on the single-head Roof Ranger adapt it to specific mine conditions.

- tram canopy (required by MSHA in seam heights over 42")
- headlights
- hydraulic flow meters
- rotary impact
- hydraulic power takeoff
- staple lock type fittings
- foam-filled tires
- high-performance blower - 18" Hg
- 60" feed length (increases collapsed height by 2")



J. H. FLETCHER & CO.
Box 2187
Huntington, WV 25722-2187
(304) 525-7811 FAX: (304) 525-3770

J. H. Fletcher & Co. cannot anticipate every mine hazard that may develop during use of this product. A Roof Control Plan must be approved by MSHA before use of this equipment begins. Proper use, maintenance and the continued use of (OEM) original equipment parts will be essential for maximum operating results.

Bulletin: RR-1/1 10/90

©1990 J. H. Fletcher & Co. All rights reserved.