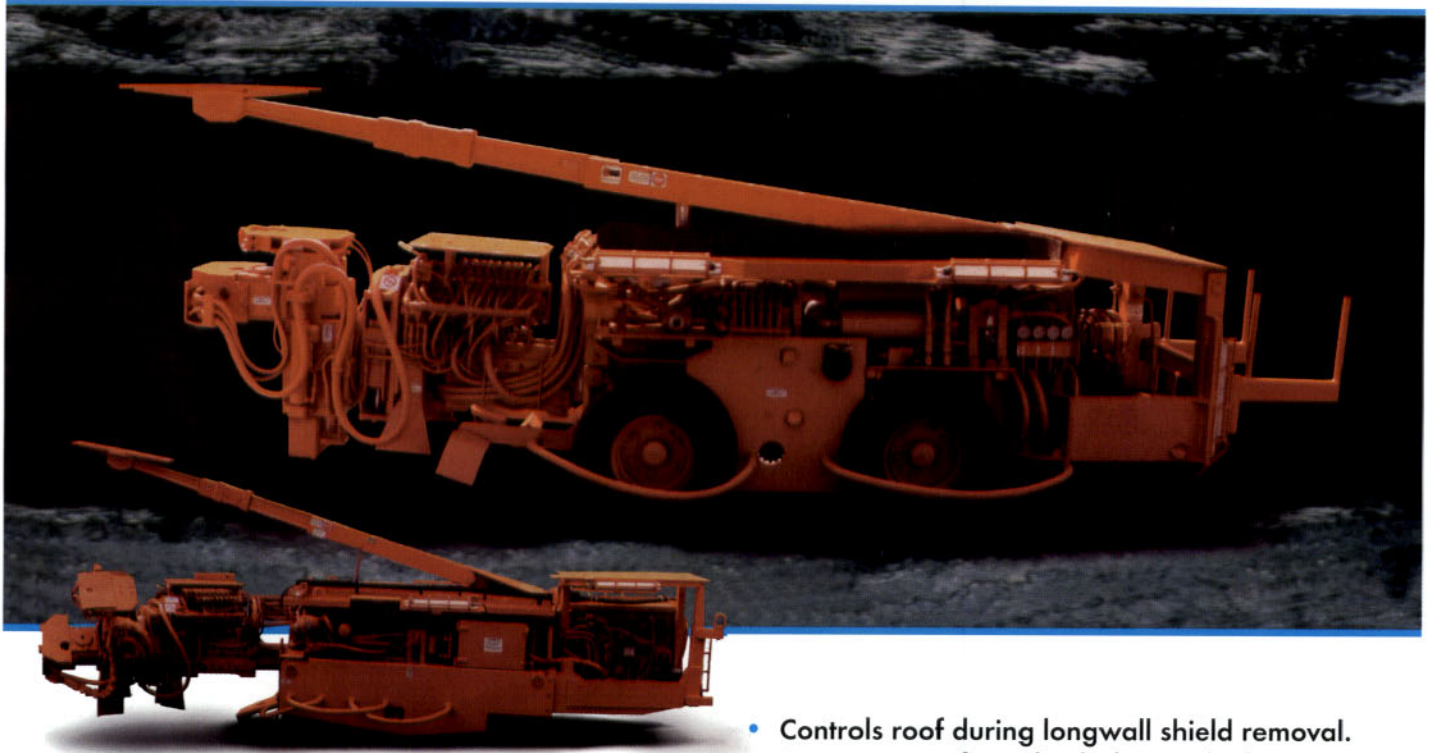


FLETCHER

Model DR

Longwall Roof Bolter With ATRS



Optional crawler drive

- Controls roof during longwall shield removal.
- Fast, compact for utility bolting in high-seam mines.
- Boom swings, extends, tilts for highest versatility.

Fletcher Model DR is the fast, compact roof drill designed for longwall and general purpose bolting in medium to high roof conditions. Boom swings and extends to allow multiple installations from one chassis position. Drill mast tilts to allow angle bolting. Heavy-duty Fletcher systems assure long life, maximum reliability and productivity.

Standard Equipment:

ATRS system - single pad for longwall
Automatic disc brakes
Deep chuck drill head
Four-wheel drive – tractor steer
MSHA-approved dust collection system
MSHA-approved illumination
MSHA-approved fire suppression
Intrinsically-safe strip switch panic bars

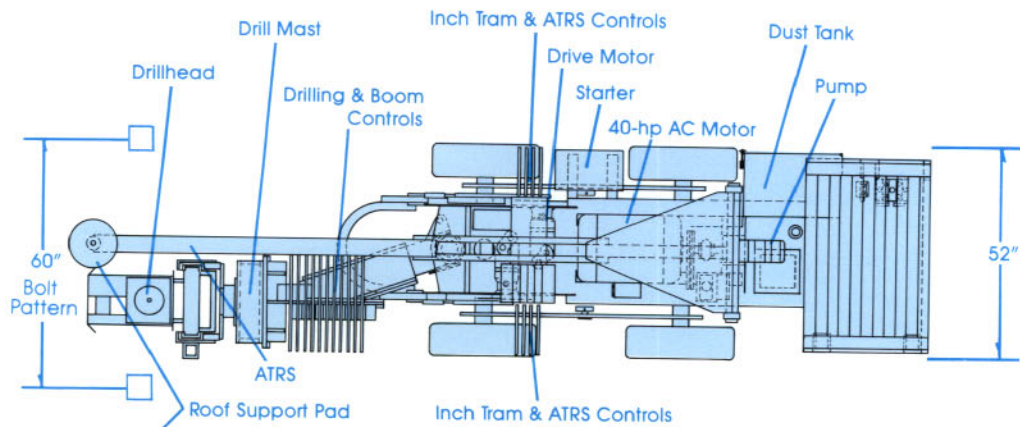
Features:

Boom Swing	2' 6" either side of center	762 mm
Boom Sump	1'	305 mm
Overall Length	16'	4877 mm
Overall Width	4' 4"	1321 mm
Overall Height w/ATRS	4' 4"	1321 mm
Ground Clearance	9"	229 mm
Weight	Avg. 13,150 lbs.	5965 kg

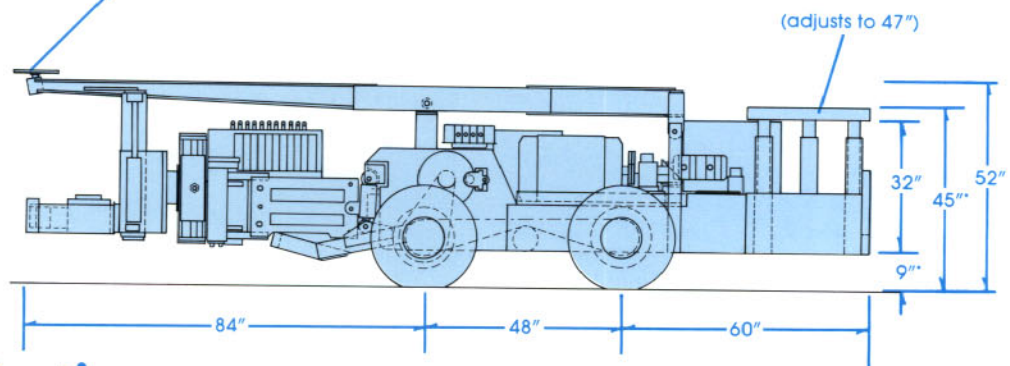
(Dimensions and weight vary, depending on tire size and seam height application.)

Model DR

Plan View



Elevation View



General Specifications:

ELECTRICAL SYSTEM: MSHA-approved electrical system; 40-hp AC motor; intrinsically-safe strip-type panic bars with start switches at all control stations.

DUST COLLECTION SYSTEM: MSHA-approved vacuum system for hollow-shaft drill steels; blower: rotary lobe type, 62 cfm; vacuum at drill head: 10-12" Hg; three-stage, manual-dump dust collector.

HYDRAULIC SYSTEM: max. working pressure: 2,500 psi; reservoir capacity: 80 U. S. gallons; filtration: magnetic in-tank, 25-Micron in-line; hand-operated fill pump with screened intake; hose fittings: JIC or NPT.

DRIVE SYSTEM: 4-wheel chain drive; tractor-type steering; tram speed: 0-120 fpm; tram motors: orbital (Geroler) type: turns within length; automatic spring-set, hydraulic-release disc brakes; pneumatic tires.

Fletcher Options:

- ATRS/canopy for production bolting
- auto dump precleaner
- cable reel
- crawler drive system
- articulated crawler drive
- downhole drilling attachment
- foam-filled tires
- headlights
- high-performance blower
- hydraulic flow meters
- radio remote tram control
- rock duster
- rotary impact
- Stecko-type fittings
- hydraulic power take-off

J. H. Fletcher & Co. cannot anticipate every mine hazard that may develop during use of this product. A roof control plan must be approved by MSHA before use of this equipment begins. Proper use, maintenance and the continued use of (OEM) original equipment parts will be essential for maximum operating results.

© 1986 J.H. Fletcher & Co. All rights reserved.
MFCL/CPC 4/89 Rev. 7/96 3M

Specifically engineered for each customer's needs.



J. H. FLETCHER & Co.
402 High St. · P. O. Box 2187
Huntington, WV 25722-2187
Phone: 304.525.7811 · Fax: 304.525.3770