

Fletcher

**Product
Newsletter**



J. H. Fletcher & Co. Huntington, West Virginia

October 1995

The Purpose of an Affidavit

As a manufacturer of roof drills, J.H. Fletcher & Co. is required by MSHA to certify that key components meet specific engineering and safety standards. These principal components, such as drill and tram canopies, automated temporary roof support systems and electrical enclosures must consistently throughout the life of the product, be certified and have documentation that approves these structures for the mining environment they operate in.

J.H. Fletcher & Co., therefore has a policy that anytime a customer requests a new certification tag for one of these components, the customer must sign and have notarized a document that authenticates that the component and its related structures are J.H. Fletcher & Co. Original Equipment.

The purpose of requesting this affidavit from our customers are the following:

It assures you our valued customer that the equipment as designed and manufactured, meets MSHA and original manufacturers specifications.

It provides an opportunity for you to inspect these components to ensure that original equipment parts are still being utilized.

It provides a consistent paper trail, if MSHA questions the certification of these components.

It will increase your roof drills value, if you decide to resell it. Having certified parts and components on your machine, can only make the equipment more attractive to potential buyers, if they know that key components are certified.

It provides your employees a consistent visual indicator that these components meet specifications.

In the past, J.H. Fletcher & Co. has used rivets to hold canopy tags on machines. Now to reduce the likelihood of your tag being lost or falling off of your equipment, J.H. Fletcher & Co. is now utilizing thick stainless steel tags that can be welded on your roof drill.

J.H. Fletcher & Co. believes this policy will consistently meet the requirement of MSHA by requesting you to complete an affidavit when you order a new tag for your canopies, ATRS or electrical components.

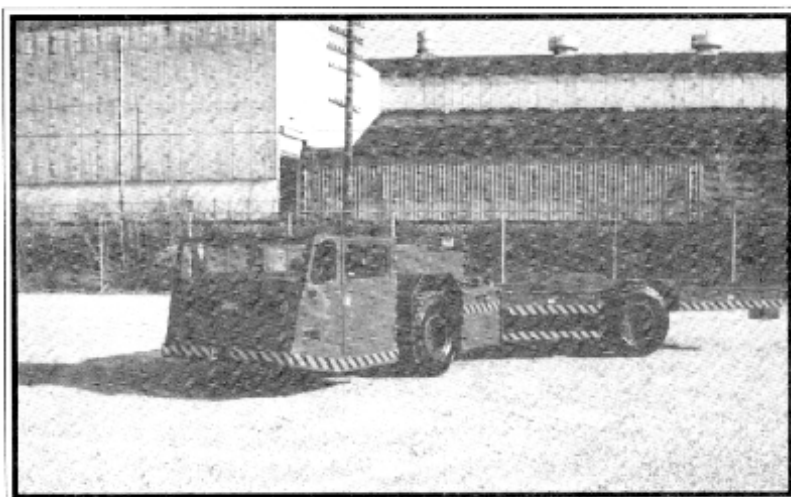
If you have any questions concerning this program, please call David Cooper at J.H. Fletcher & Co.

Table of Contents

The Purpose of an Affidavit	P.1	Pre-Cleaner Approval	P.3
New Product	P.2	The Paper Trail	P.4
Cover Screw Specification	P.2	Yellow is Better	P.4
Hydraulic Oil	P.3	New Videos	P.4
A20 Spool Retainers	P.3		

NEW PRODUCT

A new addition to the expanding Fletcher product line was recently delivered to a Western Mine. The vehicle is a low profile diesel powered Schedule 24 Utility Vehicle with articulated steering and permanent 4-wheel drive. The vehicle was custom designed to meet the customers exacting requirements and incorporates a heated, sound insulated cab with seating capacity for up to three people. The heavy duty drive train of Isuzu QD145 engine, John Deere 55,000 lb. capacity axles, and 225 HP rated powershift transmission will ensure trouble free operation while oil immersed service brakes and constant pressure hydraulic system will provide excellent operational and safety benefits to the operator.



Utility Vehicle

The Fletcher multi-purpose utility vehicles are heavy and strong vehicles designed to withstand the rigors encountered in underground mines. Other vehicles have been designed to Schedule 31 requirements and are being used as 5th wheel towing vehicles.

News From



COVER SCREW SPECIFICATION

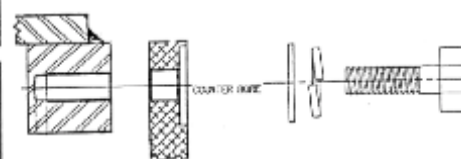
SMC Electrical Products, Inc. has discontinued the use of 5/8" and 1/2" deflected lock washers on aluminum and steel permissible covers. On all future designs and spare parts orders, we will be using a combination of stainless steel flat washers and a "light", carbon steel, helical spring, split lock washers in lieu of the deflective lock washers. Listed below are the various combinations of covers used to date and the appropriate replacement kit number.

Cover Material	Nominal Cover Thickness	"A" Cover Thickness Thru Screw Holes	"B" Screw Description		Fletcher Kit Number
Aluminum	3/4"	.750	#A4325	5/8-11x1.625"	155517
Steel	3/4"	.813 / .750	#A4325	5/8-11x1.625"	155519
Aluminum	5/8"	.625	#6850-0013	5/8-11x1.500"	155520
Steel	5/8"	.635 / .625	#6850-0013	5/8-11x1.500"	155521

Cover Material	Nominal Cover Thickness	"A" Cover Thickness Thru Screw Holes	"B" Screw Description		Fletcher Kit Number
Aluminum	3/4"	.750	1/2-13 x 1.500"		155524
Steel	3/4"	.813 / .750	1/2-13 x 1.500"		155526
Aluminum	5/8"	.625	1/2-13 x 1.375"		155527
Steel	5/8"	.750 / .625	1/2-13 x 1.375"		155528
Aluminum	1/2"	.500	1/2-13 x 1.250"		155529
Steel	1/2"	.636 / .438	1/2-13 x 1.250"		155530

Rim Bar

Flat Washer
Lock Washer



Cap Screw

Hydraulic Oil

Fletcher mining equipment utilizes valves, cylinders, and intricate actuators in their hydraulic systems. The oil you use is important to maintain a long life in the use of your Fletcher equipment. Recently, J. H. Fletcher & Co. has changed our mineral oil from Custom 68 to UNAX AW 68. The new oil, like the Custom 68, offers anti-wear protection, thermal and oxidative stability, hydrolytic stability, rust and corrosion protection, demulsibility, foam inhibition, and a low pour point; even when cold AW 68 will flow.

The key to keeping equipment running smoothly is to maintain sufficient oil in the system and change oil filters regularly. This oil is not to be used if you are already utilizing emulsion oil. If the filters are dirty it can result in valves being plugged, excessive pressure in your system, restricted flow, and increased wear.

If you are not using UNAX AW 68 now, we recommend you start utilizing this oil or it's equivalent. If you have any questions about UNAX AW 68 please contact the service department at J. H. Fletcher & Co.

Some information provided by:
The UNO-VEN Company 76 Products

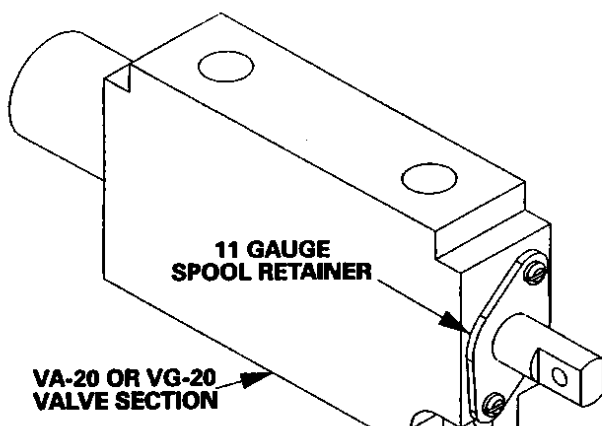
The UNO-VEN Company

76 Products

A20 Spool Retainers

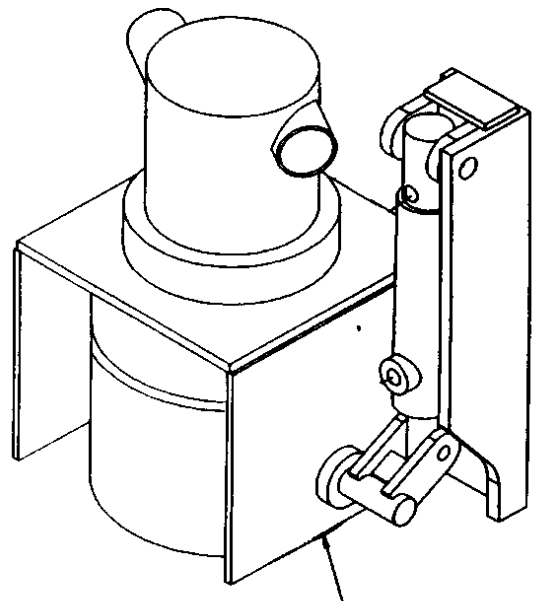
The Commercial A20 Spool Retainers have been upgraded to an 11 gauge material for the purpose of resisting spool seal extrusion under high return pressure. This possibility could result in hydraulic oil leaks at the spool end (see illustration). This particular problem could be related to all machines that have high return line pressures.

To solve the problem these stronger valve retainers will begin to appear on all new A20 spool sections. If you are having this problem with the spool seal extrusion now, we recommend you call our service department to order kit number 136106. The kit will contain a retaining plate, seal and seal backup.



Pre-Cleaner Approval

In the past J. H. Fletcher & Co. was limited as to which dust tanks could be used with the new pre-cleaners. Now, J. H. Fletcher & Co. has approval from MSHA to place pre-cleaner additions to all Fletcher dust tank systems. This approval does not include Donaldson Dust Tanks. If you're interested in this system, contact the Service Department for the approval change you will need to place this system on your bolter.



The Paper Trail

J. H. Fletcher & Co. is selling bolters with auto dump dust systems with backflush. If you have one of these systems we have a single sheet that describes the recommended service procedure for this system. If you need information on this system, please call the Product Safety Department and ask for Lisa Schafer. We will send a copy out to you immediately.

Yellow Is Better

All hydraulic and air delivery systems utilize specific hoses that meet Fletcher performance standards and stringent MSHA specifications. For example, J. H. Fletcher & Co. uses a yellow Super Ortac hose for the dust collection system. The 1 1/4 x 1 13/16 hose is Fire Resistant and has a MSHA approval number of 2G-14C/1 311. If you are not using this hose, you may be in violation of the law and you may be jeopardizing the efficiency of your dust collection system.



The RRII / DDO Operator Training Video Package has been completed and is now available for distribution. The package includes a video, Leader's guide, Review Test and Operator's Pocket Guide. The complete package can be ordered through the service department by ordering part number 158011.

J. H. Fletcher has just produced a video called "Adjustment of the Drill Feed Control Valve Package". The 8 minute video demonstrates how to adjust the package to effectively limit the pressure and rate of flow to the drill feed cylinder during drilling. To order this video contact J. H. Fletcher & Co. and ask for "Adjustment Of the Drill Feed Control Valve Package".

The information contained in this newsletter has been obtained from sources believed to be reliable, and the editors have exercised reasonable care to assure its accuracy. However, J. H. Fletcher & Co. does not guarantee that contents of this publication are correct and statements attributed to other sources do not necessarily reflect the opinion or position of J. H. Fletcher & Co.

Editors: David Cooper and Chris Greenwood
Published by J. H. Fletcher & Co.
 Box 2187
 Huntington, WV 25722-2187

Currently we are only sending the Fletcher Newsletter to a selective readership. If you know of someone in your company who wishes to be placed on our mailing list, please let us know. Below is a form for a free subscription to the newsletter. Just fill out the form and return it to J. H. Fletcher & Co., Box 2187, Huntington, WV 25722-2187

FREE SUBSCRIPTION FORM

Name _____ Job Title _____
 Company _____ Address _____
 City _____ State _____ Zip _____
 Phone _____ **J. H. Fletcher & Co.**

J. H. Fletcher & Co.
 Box 2187
 Huntington WV 25722-2187
 (304) 525-7811