

J. H. FLETCHER & CO. Box 2187 – Huntington, WV 25722-2187 – 304/525-7811 – FAX 304/525-4025

IMPORTANT SAFETY UPDATE

INFORMATION BULLETIN NO. 87

TO: OWNERS OF ROOF DRILLS THAT ARE NOW USING THE DUST BAG SYSTEM KIT. SERIAL NOS. 97323, 98006, 99047, 2000040, 2000331, 2000341, 2000447, 2001004, 2001005, 2001006, 2001007, 2001008, 2001019, 2001021, 2001022, 2001031, 2001034, 2001035, 2001039, 2001042, 2001045, 2001046, 2001047, 2001048, 2001056, 2001302, 2001303, 2001308, 2001317, 2001319, 2001333, 2001351, 2001358, 2001359

**FROM: RISK MANAGEMENT DEPT.
J. H. FLETCHER & CO.**

DATE: OCTOBER 2001

SUBJ: DUST BAG SYSTEM KIT

J. H. Fletcher & Co. recently sold you a dust bag system kit (part no. 366363, 366374, 300178, or 366364) as an after market add-on, or you have specifically asked for this item on your new roof drill. The dust bag system kit that is installed on your machine is MSHA approved and provides a collection medium for dust inside the tank.

Enclosed is a set of instructions regarding the installation and removal of the dust bags in the kit (part no. 139099), instructions on how to install the kit (part no. 139100), and a drawing of the mounting kit for your system. We recommend that you place at least one copy of the instructions in the operator's manual on the machine, one copy in the parts catalog, and then post a copy of the instructions for all personnel to read.

Always maintain all components of your dust collection system to obtain maximum performance from your entire system.

J.H. Fletcher & Co. appreciates your purchase of our equipment. We believe these instructions will assist you in the maintenance and operation of your roof drill.

If you no longer own or operate a Fletcher roof drill that is identified in this bulletin, please complete the Inactive Disposition form that is included in this mailing, or notify the Risk Management Department to provide the serial number of the inactive machine or name of the company your machine was sold to. (304/525-7811, ext. 240)

If you have any questions about your machine, the applicability of this bulletin to your machine, or any other issues regarding your machine, contact the Fletcher Service Department or your local Field Service Representative.

Information Bulletin No. 87
Subject: Dust Bag System Kit
October 2001
Page 2

INACTIVE EQUIPMENT DISPOSITION

SOLD OR TRANSFERRED EQUIPMENT:

MODEL: _____
SERIAL NO: _____

OWNER: _____
ADDRESS: _____

PHONE NO: _____

TRANSACTION DATE: _____

MODEL: _____
SERIAL NO: _____

OWNER: _____
ADDRESS: _____

PHONE NO: _____

TRANSACTION DATE: _____

EQUIPMENT THAT IS PERMANENTLY OUT-OF-SERVICE:

MODEL: _____
SERIAL NO: _____

MODEL: _____
SERIAL NO: _____

MODEL: _____
SERIAL NO: _____

MODEL: _____
SERIAL NO: _____

COMMENT:

Date: _____

Authorized Representative

Please return to: J. H. FLETCHER & CO.
ATTN: RISK MANAGEMENT DEPT.
402 HIGH STREET
HUNTINGTON WV 25705

CONTROL NO: _____ / _____
Office Use Only

J.H. FLETCHER & CO.

DUST BAG MOUNTING KIT INSTALLATION INSTRUCTIONS

The Dust Bag Mounting Assembly is designed to retrofit Fletcher dust tanks to the dust bag system. After this kit is installed, the operator will be able to empty the main chamber of the dust tank by simply removing the full dust bag, and replacing it with a new bag.

Determine that you have the correct kit for your dust box:

J.H. Fletcher & Co. Dust Bag Retrofits		
Dust Box Part Number	Dust Bag Kit P/N	Dust Bag P/N
56226, 56294	366363	57302
56249	366374	57302
56298	300178	57302
56229, 56323, 56338, 56274, 56305	366364	57302

All kits are the same, with the only difference being the overall width of the Mounting Plate Assembly.

The slide tray normally supplied with the dust box is discarded.

Loosen the screws connecting the mounting angles to the Dust Bag Mounting Plate. This will allow movement to compensate for dimensional tolerances in the dust box.

Tack weld the angles into the box while achieving the following:

The mounting kit must be mounted level both front to back and side to side.

The open end of the mounting kit must be open at the front to allow the bag to slide in.

The mounting angles should be placed all the way to the rear of the box. Note that these angles are longer than the Mounting Plate.

The distance from the underside of the plastic dust bag guides, to the floor of the dust box, should measure 9-3/4".

Tighten the screws that hold the Dust Bag Mounting Plate to the mounting angles.

Replace the dust fitting (the one that threads into the rear of the large chamber) with one of the two supplied with the kit. Make a note of the one being used in order to acquire the correct replacement part in the future.

Install the rubber hose inside the box, from the fitting at the rear of the box to the dust connector on the Mounting Plate Kit, and install a hose clamp at each end.

Dust Bag Mounting Kit Installation Instructions

Page 2

Note: On some kits, a small baffle plate must be cut out of the box to allow the hose to be run without being kinked. Also, in some applications, it may be necessary to shorten the hose. In all cases, it is important that the hose does not kink!

If you do not feel comfortable with making these modifications, your local Fletcher representative is available to offer technical assistance. It can also be arranged to have the dust box sent to Fletcher for modification at the factory.

Approvals:

All Fletcher roof bolters with an MSHA approved dust collection system have a tag with the Dust Approval Number. If the dust tanks are the same part numbers as supplied by J.H. Fletcher & Co. (either during original manufacture or during a rebuild), the bag kit and pre-cleaners can be added without changing this approval tag. This is because these features are approved as options on the Dust Collection Approval.

Should the dust tank be changed to anything other than the original, this tag must be replaced to reflect the new approval number. Your Fletcher sales / service representative will supply you with a new tag, and will examine the dust collection system to determine that the complete system meets the specifications of this new approval number. At this time, the Fletcher representative will see that the old tag is removed and returned to J.H. Fletcher & Co., and that the new tag is affixed to the machine.

J. H. FLETCHER & CO. DUST BAG SYSTEM

INSTALLING THE DUST BAG

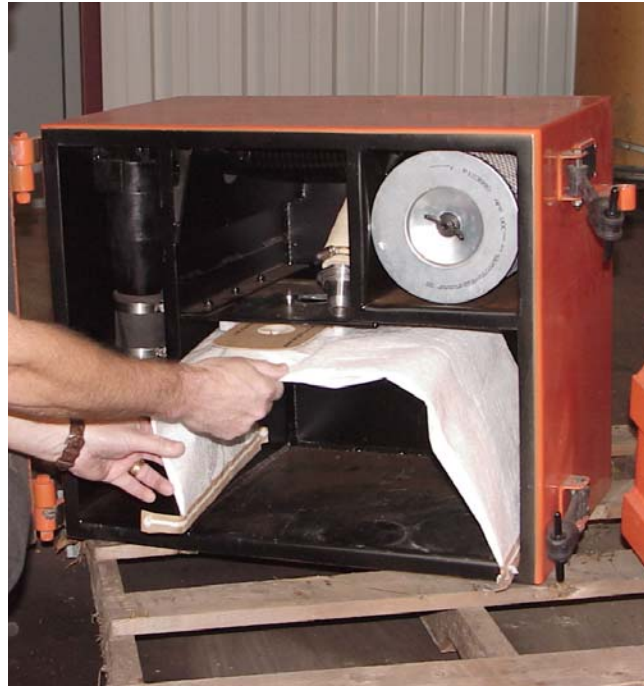
After the mounting kit is installed, it is very easy to install the dust bag.

1. Shut down the machine.
2. Open the dust box door.
3. Grasp the dust bag nipple and twist it to allow it to clear the lock buttons (item 13 on enclosed drawing). Lift the dust connector (item 7 on drawing) and attached hose (item 16 on drawing) and place it on top of the mounting plate assembly, clear of the center hole.
4. Grasp a new dust bag, holding it with the cardboard mount up and the long end of the bag to your right side.
5. Slide the bag into position between the mounting plate and the plastic bag guides. Keep pushing inward on the cardboard until the latex seal is centered in the hole in the mounting plate.
6. Insert the dust connector (item 7 on drawing) with the attached hose into the hole in the mounting plate and through the latex seal in the end of the dust bag. Twist the dust connector so that it clears the lock buttons while pushing downward until it is flush with the mounting plate. Twist the dust connector to engage the tabs under the lock buttons. When properly attached, the hose will act as a torsion spring to keep the dust connector tabs under the head of the lock buttons.
7. Close and latch the dust box door.

REMOVING THE FULL DUST BAG

1. Shut down the machine.
2. Open the dust box door.
3. Grasp the dust bag nipple and twist it to allow it to clear the lock buttons (item 13 on enclosed drawing). Lift the dust connector (item 7 on drawing) and attached hose (item 16 on drawing) and place it on top of the mounting plate assembly, clear of the center hole.
4. Remove the full bag by pulling it outward, taking care not to tear the bag on the edges of the dust box. The latex seal on the bag will tend to close, thereby preventing dust from escaping into the atmosphere.
5. Set the full bag aside for proper disposal in accordance with the mine's procedures. Normally, the full bag will be set along the rib, where it will be picked up and properly disposed of later. It is very important that the full bag be handled properly, since it typically contains over 60% of all the respirable dust particles (below 5 micron) generated during drilling.

J. H. FLETCHER & CO.



**DUST BAG
MOUNTING KIT**

**DUST TANK
FILTER**

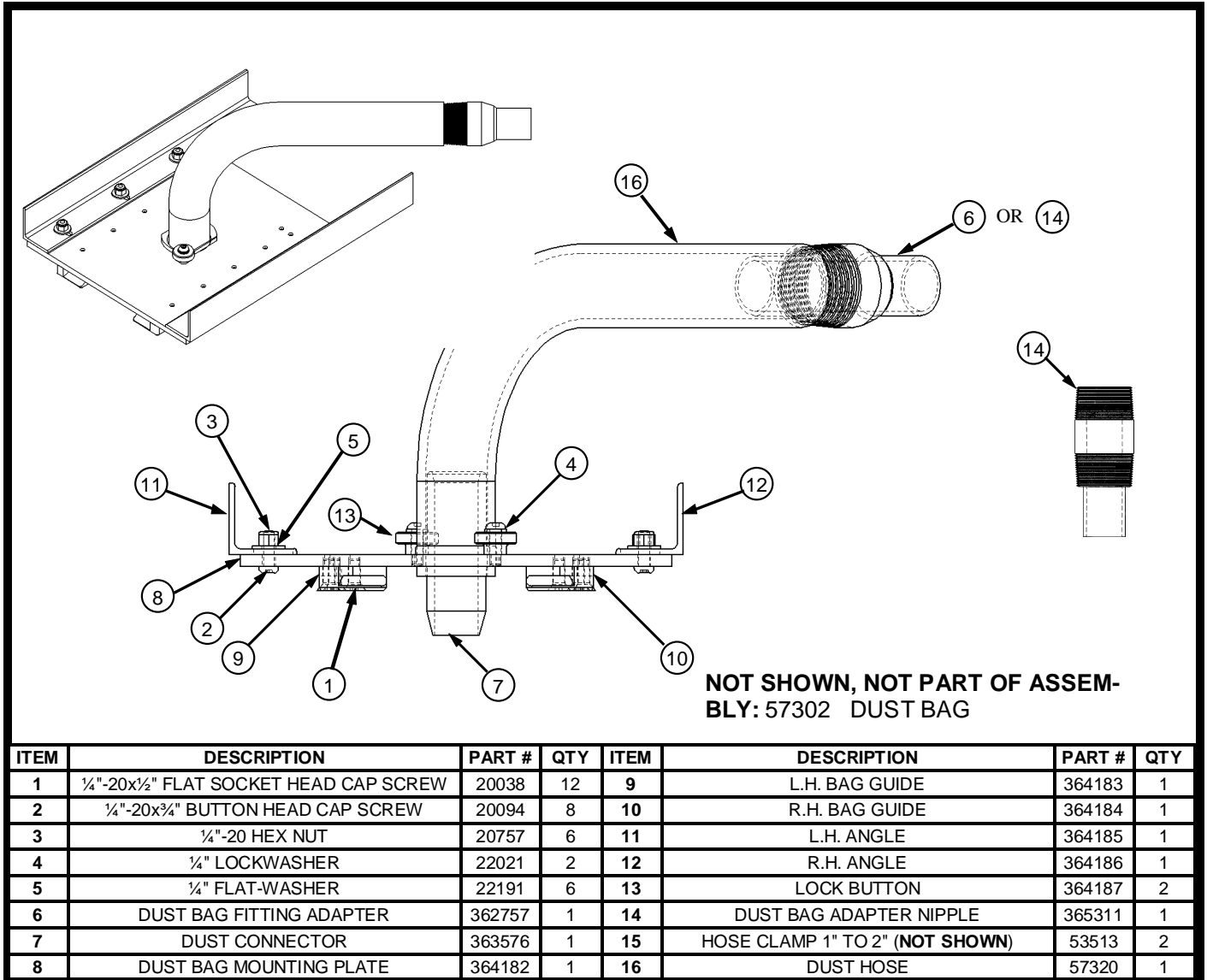


DUST BAG

J.H. FLETCHER & COMPANY

DUST BAG MOUNTING KIT

PART NO. 300178

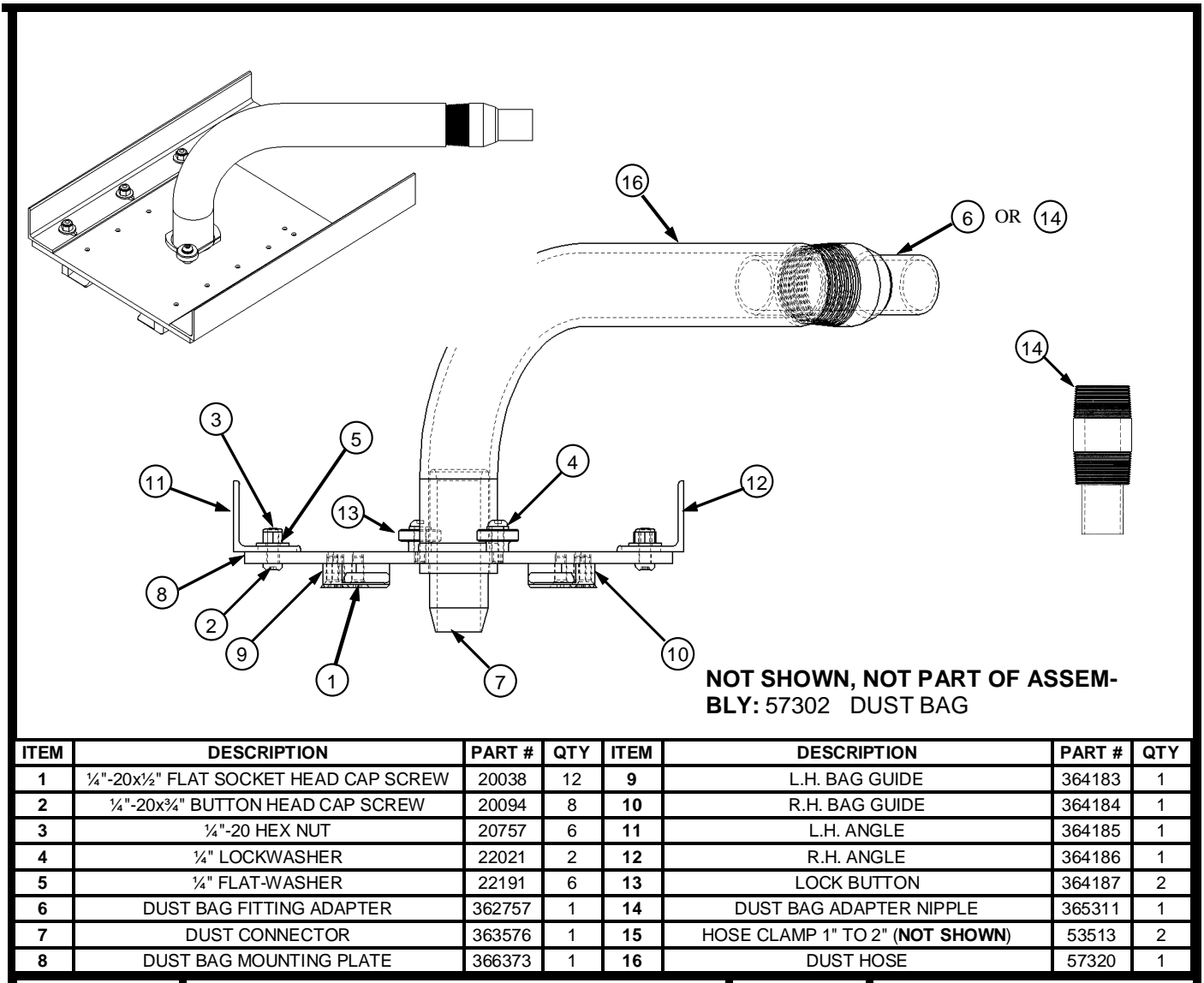


ITEM	DESCRIPTION	PART #	QTY	ITEM	DESCRIPTION	PART #	QTY
1	¼"-20x½" FLAT SOCKET HEAD CAP SCREW	20038	12	9	L.H. BAG GUIDE	364183	1
2	¼"-20x¾" BUTTON HEAD CAP SCREW	20094	8	10	R.H. BAG GUIDE	364184	1
3	¼"-20 HEX NUT	20757	6	11	L.H. ANGLE	364185	1
4	¼" LOCKWASHER	22021	2	12	R.H. ANGLE	364186	1
5	¼" FLAT-WASHER	22191	6	13	LOCK BUTTON	364187	2
6	DUST BAG FITTING ADAPTER	362757	1	14	DUST BAG ADAPTER NIPPLE	365311	1
7	DUST CONNECTOR	363576	1	15	HOSE CLAMP 1" TO 2" (NOT SHOWN)	53513	2
8	DUST BAG MOUNTING PLATE	364182	1	16	DUST HOSE	57320	1

J.H. FLETCHER & COMPANY

DUST BAG MOUNTING KIT

PART NO. 366374

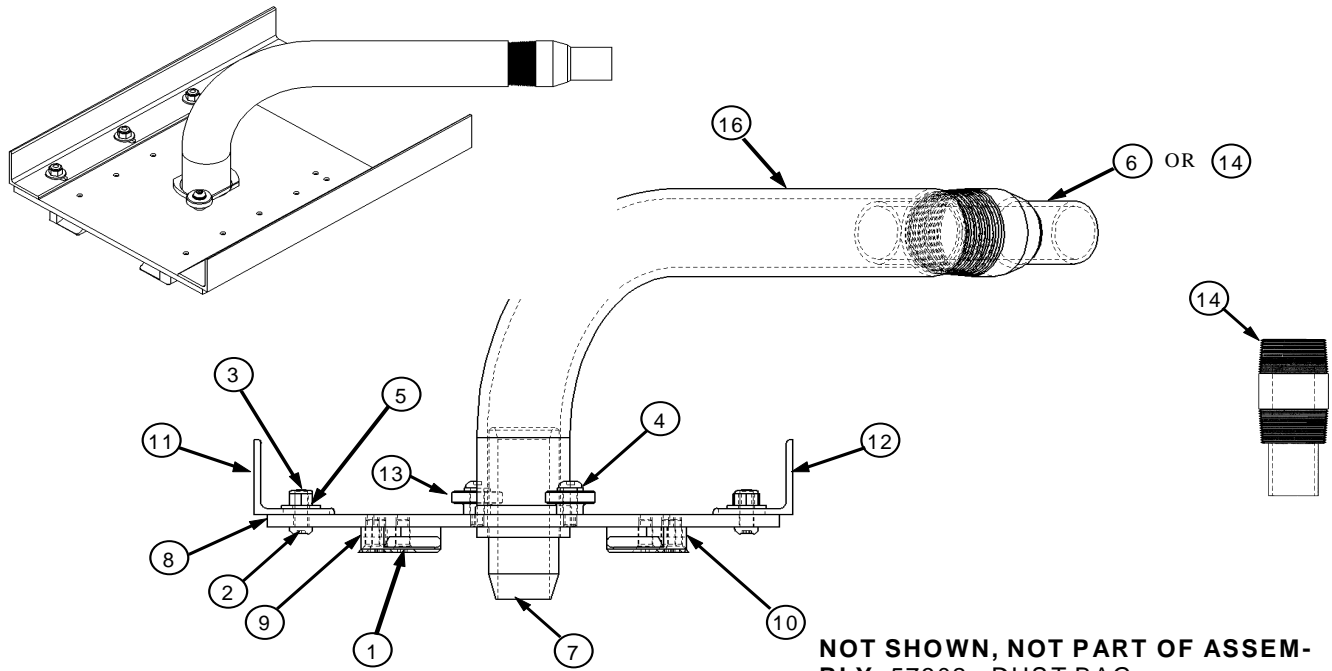


ITEM	DESCRIPTION	PART #	QTY	ITEM	DESCRIPTION	PART #	QTY
1	¼"-20x½" FLAT SOCKET HEAD CAP SCREW	20038	12	9	L.H. BAG GUIDE	364183	1
2	¼"-20x¾" BUTTON HEAD CAP SCREW	20094	8	10	R.H. BAG GUIDE	364184	1
3	¼"-20 HEX NUT	20757	6	11	L.H. ANGLE	364185	1
4	¼" LOCKWASHER	22021	2	12	R.H. ANGLE	364186	1
5	¼" FLAT-WASHER	22191	6	13	LOCK BUTTON	364187	2
6	DUST BAG FITTING ADAPTER	362757	1	14	DUST BAG ADAPTER NIPPLE	365311	1
7	DUST CONNECTOR	363576	1	15	HOSE CLAMP 1" TO 2" (NOT SHOWN)	53513	2
8	DUST BAG MOUNTING PLATE	366373	1	16	DUST HOSE	57320	1

J.H. FLETCHER & COMPANY

DUST BAG MOUNTING KIT

PART NO. 366364



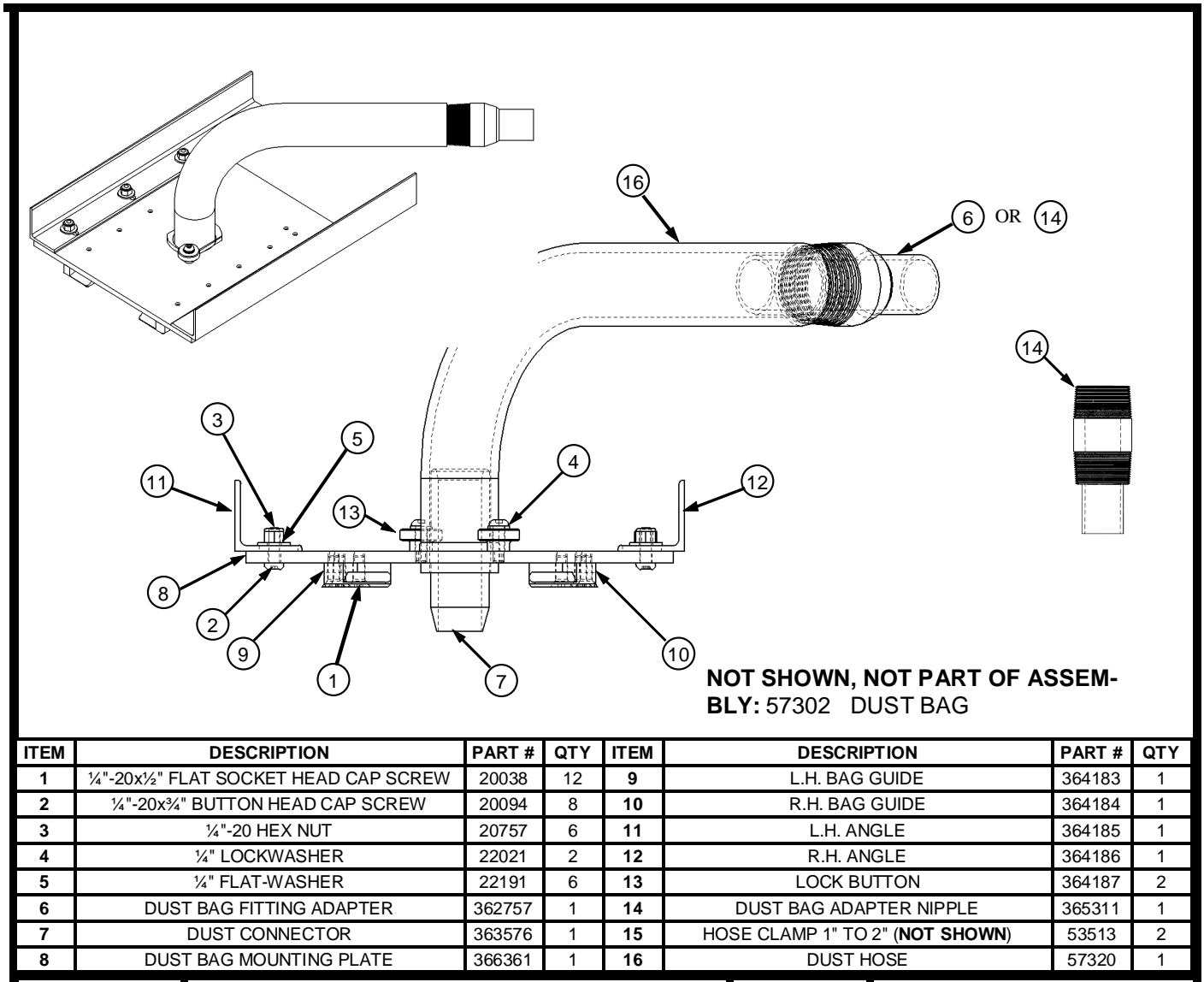
NOT SHOWN, NOT PART OF ASSEMBLY: 57302 DUST BAG

ITEM	DESCRIPTION	PART #	QTY	ITEM	DESCRIPTION	PART #	QTY
1	¼"-20x½" FLAT SOCKET HEAD CAP SCREW	20038	12	9	L.H. BAG GUIDE	364183	1
2	¼"-20x¼" BUTTON HEAD CAP SCREW	20094	8	10	R.H. BAG GUIDE	364184	1
3	¼"-20 HEX NUT	20757	6	11	L.H. ANGLE	364185	1
4	¼" LOCKWASHER	22021	2	12	R.H. ANGLE	364186	1
5	¼" FLAT-WASHER	22191	6	13	LOCK BUTTON	364187	2
6	DUST BAG FITTING ADAPTER	362757	1	14	DUST BAG ADAPTER NIPPLE	365311	1
7	DUST CONNECTOR	363576	1	15	HOSE CLAMP 1" TO 2" (NOT SHOWN)	53513	2
8	DUST BAG MOUNTING PLATE	366362	1	16	DUST HOSE	57320	1

J.H. FLETCHER & COMPANY

DUST BAG MOUNTING KIT

PART NO. 366363



ITEM	DESCRIPTION	PART #	QTY	ITEM	DESCRIPTION	PART #	QTY
1	¼"-20x½" FLAT SOCKET HEAD CAP SCREW	20038	12	9	L.H. BAG GUIDE	364183	1
2	¼"-20x¾" BUTTON HEAD CAP SCREW	20094	8	10	R.H. BAG GUIDE	364184	1
3	¼"-20 HEX NUT	20757	6	11	L.H. ANGLE	364185	1
4	¼" LOCKWASHER	22021	2	12	R.H. ANGLE	364186	1
5	¼" FLAT-WASHER	22191	6	13	LOCK BUTTON	364187	2
6	DUST BAG FITTING ADAPTER	362757	1	14	DUST BAG ADAPTER NIPPLE	365311	1
7	DUST CONNECTOR	363576	1	15	HOSE CLAMP 1" TO 2" (NOT SHOWN)	53513	2
8	DUST BAG MOUNTING PLATE	366361	1	16	DUST HOSE	57320	1